

# ***Speed Clean***<sup>™</sup> Pressure Washer

# 2800 PSI

## *Illustrated Parts List*



Questions? Help is just a moment away!  
Preguntas? La ayuda es justa un momento lejos!

Call: **Pressure Washer Helpline**

Llame: **Línea Directa del Lavador a Presión - 1-800-743-4115** M-F 8-5 CT

web: [www.briggsandstratton.com](http://www.briggsandstratton.com)

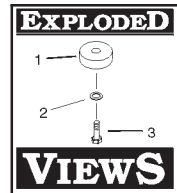
SpeedClean<sup>™</sup> is a trademark of Briggs & Stratton Power Products.

SpeedClean<sup>™</sup> es una marca registrada de Briggs & Stratton Power Products.

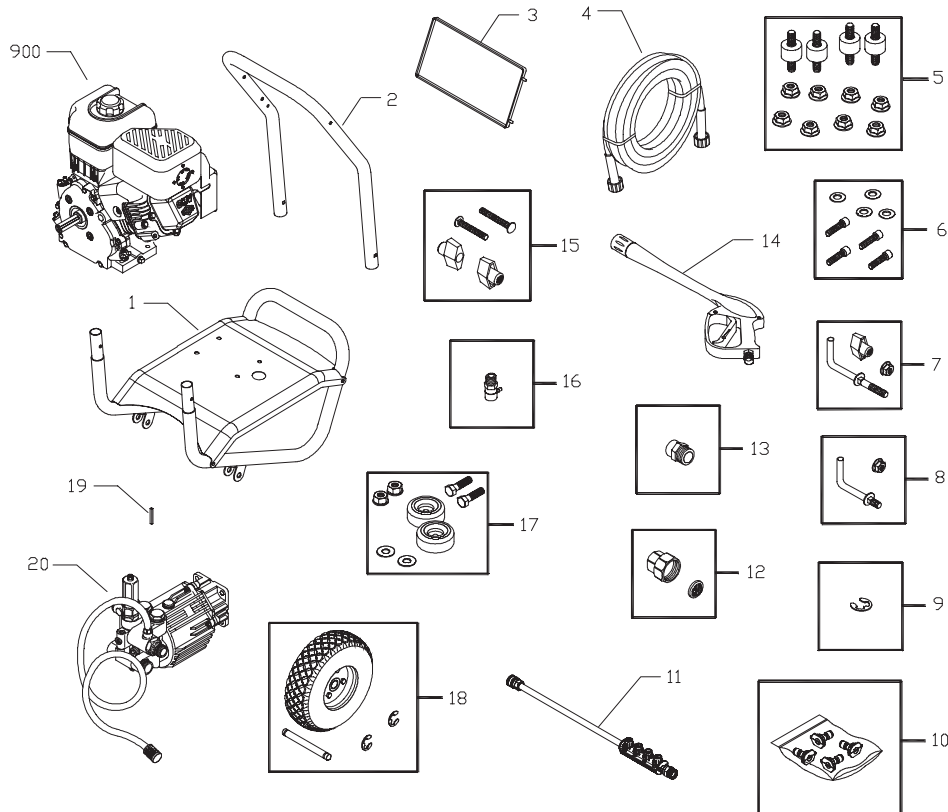
**BRIGGS & STRATTON POWER PRODUCTS GROUP, LLC**

**JEFFERSON, WISCONSIN, U.S.A.**

Model No. 020212-I (2,800 PSI Pressure Washer) Manual No. 197714A Revision I (01/17/2006)



## EXPLODED VIEW AND PARTS LIST — MAIN UNIT



| Item | Part #     | Description                   |
|------|------------|-------------------------------|
| 1    | 197722GS   | BASE                          |
| 2    | B194718GS  | HANDLE                        |
| 3    | 194377GS   | ASSY, Billboard               |
| 4    | 194564GS   | HOSE                          |
| 5    | 192134GS   | KIT, Engine Mounting Hardware |
| 6    | 192131GS   | KIT, Pump Mounting Hardware   |
| 7    | 194264GS   | KIT, Hook, Handle             |
| 8    | 192309GS   | KIT, Hook, Base               |
| 9    | 191265GS   | KIT, E-Ring                   |
| 10   | 196902GS   | KIT, Spray Tip                |
|      | 195851ZZGS | Nozzle, Black                 |
|      | 195983WGS  | Nozzle, Red                   |
|      | 195983XGS  | Nozzle, Yellow                |
|      | 195983ZGS  | Nozzle, White                 |
| 11   | 192199GS   | ASSY, Extension               |
| 12   | 194004GS   | KIT, Inlet, Hose, Grdn, Srv   |
| 13   | 95457GS    | ADAPTER                       |
| 14   | B3263GS    | GUN                           |
| 15   | B2203GS    | KIT, Handle Connector         |
| 16   | 194298GS   | VALVE, Thermal Relief         |

| Item | Part #   | Description             |
|------|----------|-------------------------|
| 17   | 192310GS | KIT, Vibration Mount    |
| 18   | 192317GS | KIT, Wheel              |
| 19   | 23139DGS | KEY                     |
| 20   | 194003GS | ASSY, Pump (see page 3) |
| 900  | §        | ENGINE                  |

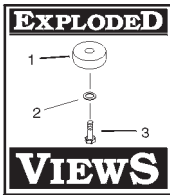
**Items Not Illustrated:**

| Part #    | Description        |
|-----------|--------------------|
| 197714GS  | MANUAL, Operator's |
| BB3061BGS | OIL BOTTLE         |
| MS5242    | MANUAL, Engine     |
| 194482GS  | KIT, Decal Srv     |

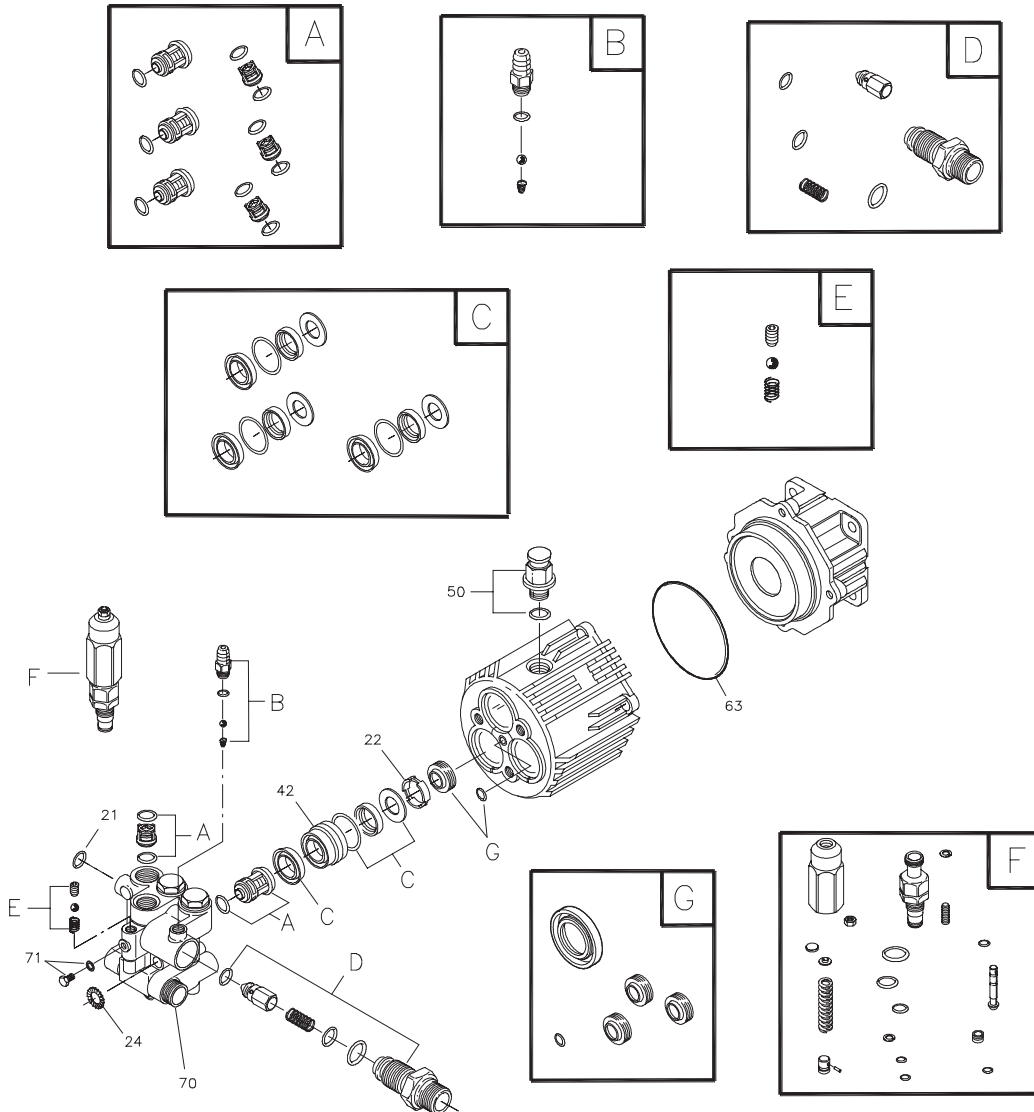
**Optional Accessories:**

| Part #   | Description      |
|----------|------------------|
| 100031   | STABILIZER, Fuel |
| 100516GS | KIT-O-Ring       |
| 6039     | PUMP SAVER       |

§ - Contact Engine Manufacturer



## EXPLODED VIEW AND PARTS LIST — PUMP



| Item | Part #   | Description            |
|------|----------|------------------------|
| 21   | 194434GS | O-RING                 |
| 22   | 190639GS | SPACER                 |
| 24   | 190640GS | WASHER                 |
| 42   | 190646GS | PISTON, Guide          |
| 50   | 198160GS | VENT CAP, with O-Ring  |
| 63   | 194435GS | O-RING                 |
| 70   | 190654GS | PUMP HEAD              |
| 71   | 190655GS | GRUB SCREW & WASHER    |
| 72   | 190656GS | OIL BOTTLE (not shown) |

| Item | Part #   | Description          |
|------|----------|----------------------|
| A    | 190657GS | KIT, CHECK VALVE     |
| B    | 192914GS | KIT, CHEMICAL INJECT |
| C    | 190660GS | KIT, SEAL WATER      |
| D    | 194426GS | KIT, INJECTOR        |
| E    | 194427GS | KIT, BALL & SPRING   |
| F    | 193126GS | KIT, UNLOADER        |
| G    | 194425GS | KIT, SEAL OIL        |

**NOTE:** Item letters A - G are service kits and include all parts shown within the box.